

SAW Filter 35 MHz

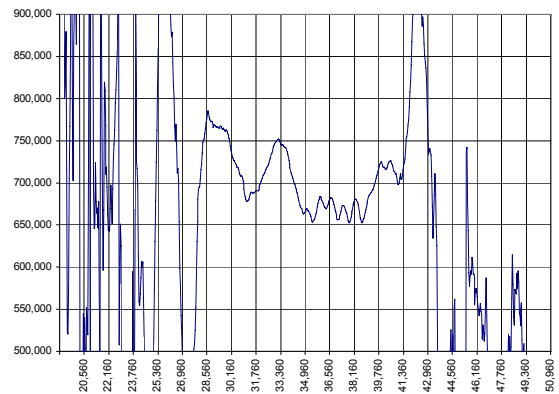
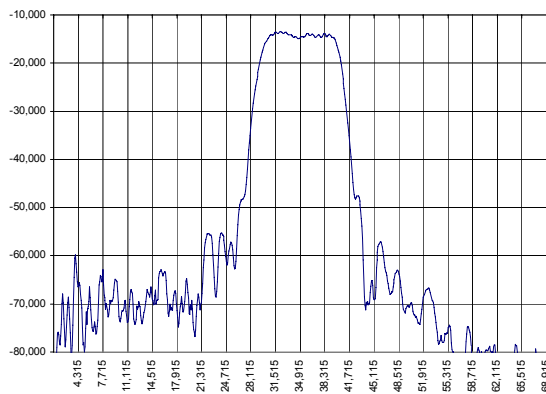
Bandwidth 9 MHz

A129-35M1

Complies with Directive 2002/95/EC (RoHS)

PRELIMINARY DATA

Typical performance



Specification

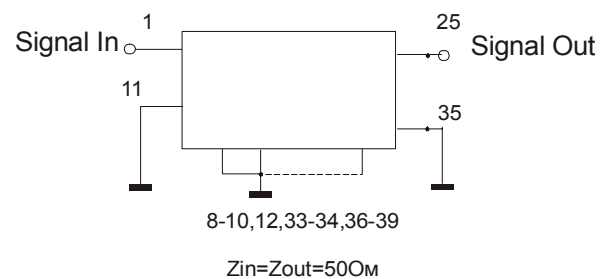
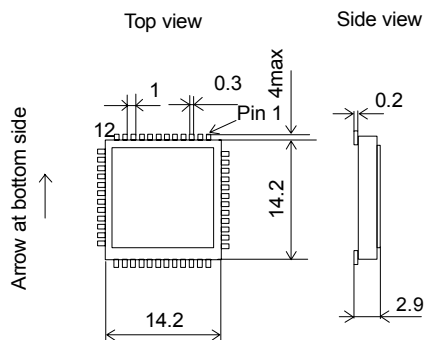
Parameter	Unit	Min	Typ	Max
Central frequency	MHz	34.85	35	35.15
Inserted loss (matched)	dB	13	13.5	14
Bandwidth @-2dB	MHz	9	9.2	9.5
Bandwidth @-40dB	MHz	17	17.5	18
Amplitude ripple	dB	-	1.25	1.5
Group Delay variation	nsec	-	91	100
Ultimate rejection	dB		128LNO	
Substrate		-55		85

Notes:

1. The design, manufacturing process, and specifications of this filter are subject to change.
2. Specification valid for measurements in AEC test fixture

Case

Matching



H16.48-2B
Mass 1,7 g

Matching: series inductor 653nH and parallel capacitor 1-40 pf at input port, series inductor 607nH and parallel capacitor 104+(1-50)pf at output port