

SAW 96 MHz Filter

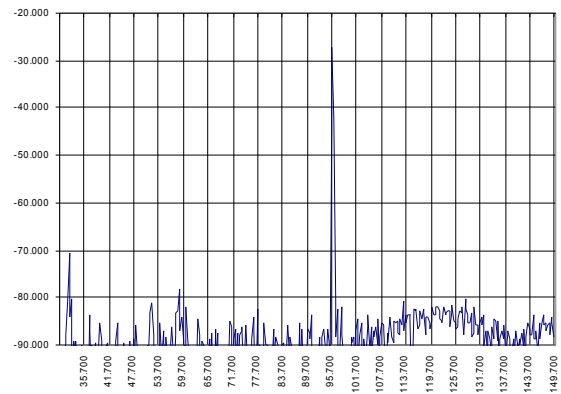
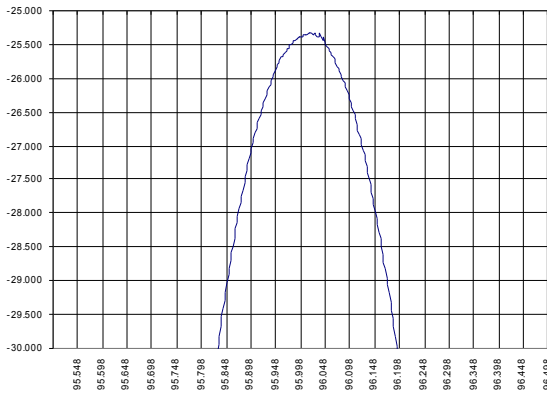
Bandwidth 0.3 MHz

Part Number A107-96M1

Complies with Directive 2002/95/EC (RoHS)

PRELIMINARY DATA

Typical performance



Specifications

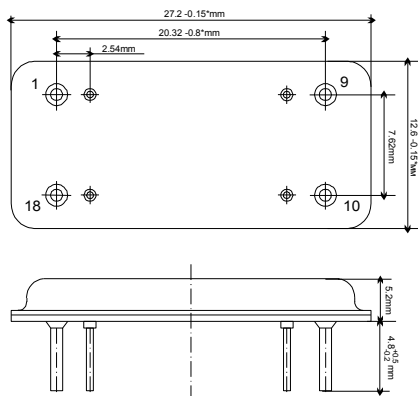
Parameter	Unit	Min	Typ	Max
Central frequency	MHz	95.98	96.0	96.02
Inserted loss (unmatched)	dB	-	25	-
Bandwidth @-3 dB	MHz	0.28	0.3	0.31
Bandwidth @-40dB	MHz	-	0.94	-
Amplitude ripple	dB	-	0.05	-
Ultimate rejection	dB	-	60	-
Substrate	-	-	36 YX quartz	-
Temperature range	°C	-55	22	85

Notes:

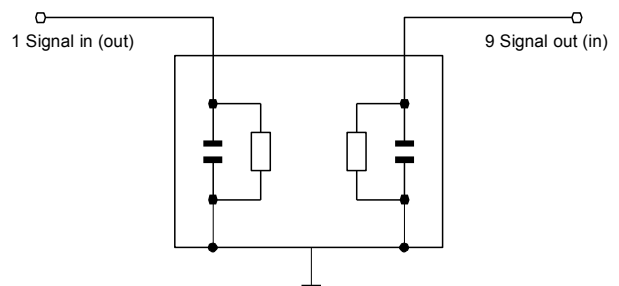
- The design, manufacturing process, and specifications of this filter are subject to change.
- Specification valid for measurements in AEC Design test fixture.

Case

DIP 18



Matching



All others - Case ground

Z_{in}=Z_{out}=50 Ohm