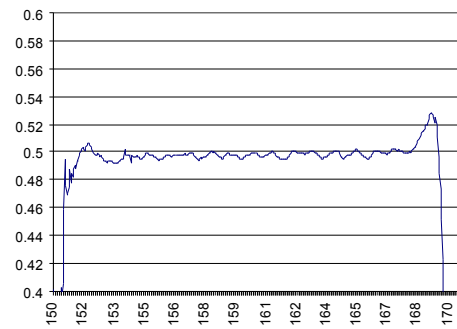
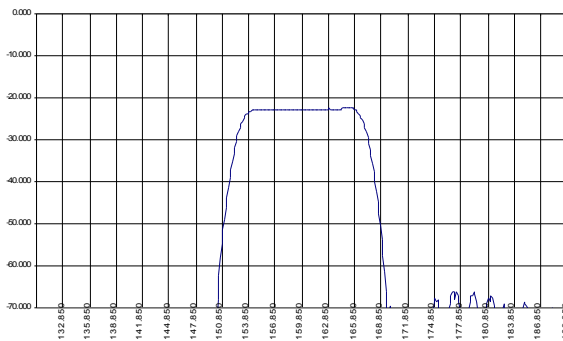


IF SAW 160 MHz Filter
Bandwidth 12 MHz
Part Number A106-160M1

Complies with Directive 2002/95/EC (RoHS)

PRELIMINARY DATA

Typical performance



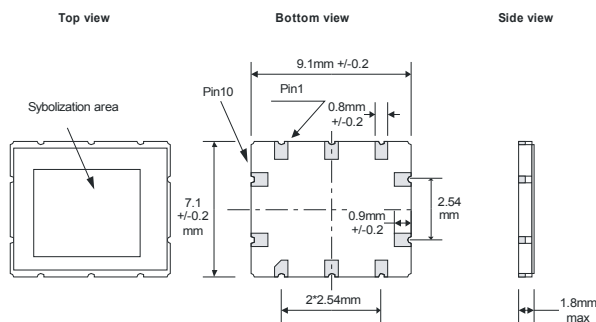
Specifications

Parameter	Unit	Min	Typ	Max
Central frequency	MHz	159.75	160.00	160.25
Inserted loss	dB	22.0	22.7	23.1
Bandwidth @-1dB	MHz	11.50	12.00	-
Bandwidth @-38dB	MHz	-	20.00	-
Amplitude ripple	dB	-	0.7	1.0
Group Delay ripple	nsec	-	25.0	-
Ultimate rejection	dB	-	45.0	-
Substrate	-	-	112LTO	-
Temperature range	°C	-55.0	22.0	85.0

Notes:

1. The design, manufacturing process, and specifications of this filter are subject to change.
2. Specification valid for measurements in AEC Design test fixture.

Case



Matching

