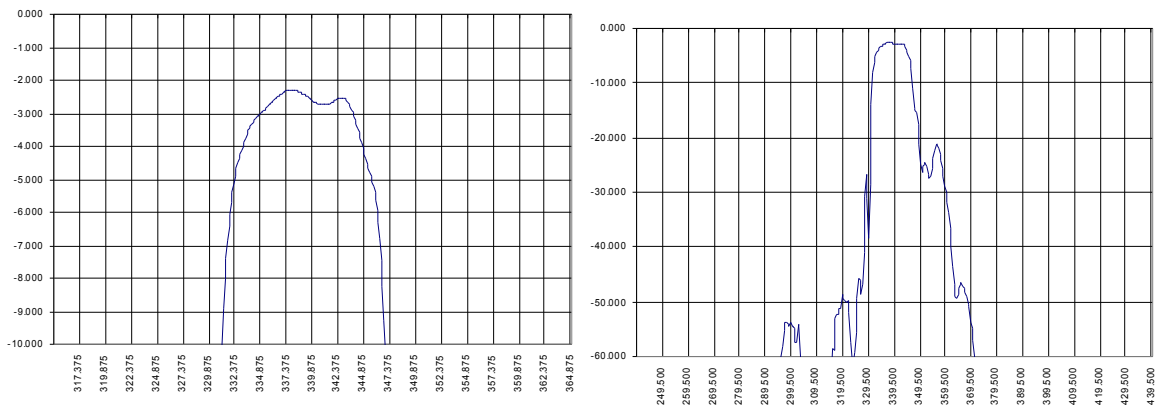


Low Loss SAW 340 MHz Filter Bandwidth 10 MHz

Part Number A095-340M1

Typical performance



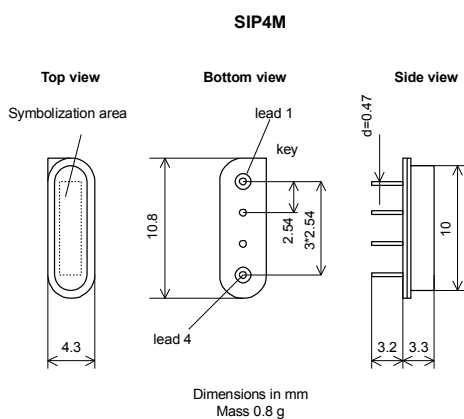
Specifications

Parameter	Unit	Min	Typ	Max
Central frequency	MHz	339.00	340.00	341.00
Inserted loss	dB	-	2.3	2.5
Bandwidth @-1dB	MHz	9.80	10.00	11.00
Bandwidth @-30dB	MHz	-	33.00	-
Amplitude ripple	dB	0.6	0.9	1.5
Ultimate rejection	dB	60.0	70.0	-
Substrate	-	-	64 YX LiNbo3	-
Temperature range	°C	-55.0	22.0	85.0

Notes:

1. The design, manufacturing process, and specifications of this filter are subject to change.
2. Specification valid for measurements in AEC Design test fixture

Case



Matching

