

Low Loss SAW 80.5 MHz Filter

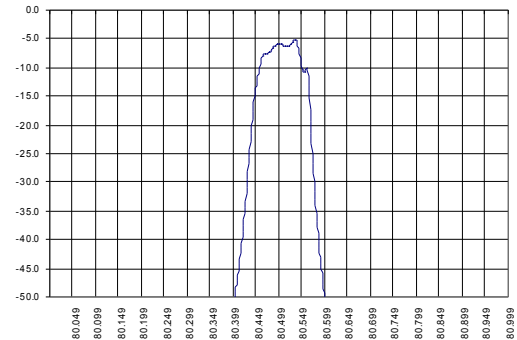
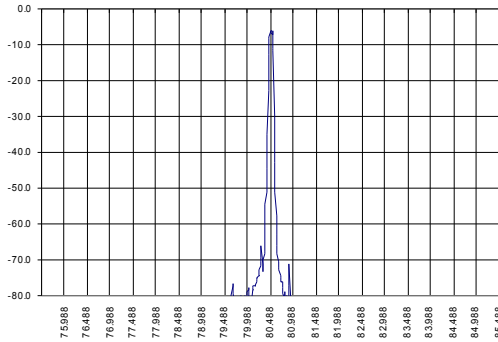
Bandwidth 0.08 MHz

Part Number A091-80.5M1

Complies with Directive 2002/95/EC (RoHS)

PRELIMINARY DATA

Typical performance



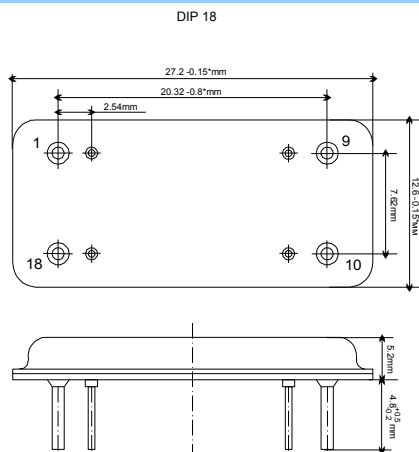
Specifications

Parameter	Unit	Min	Typ	Max
Central frequency	MHz	80.49	80.50	80.51
Inserted loss (unmatched)	dB	-	5.5	6.0
Bandwidth @-3dB	MHz	0.07	0.08	0.10
Share factor -3/-30 dB	-	-	1.9	-
Bandwidth @-50dB	MHz	-	0.23	-
Amplitude ripple (in bandwidth 0.05 MHz)	dB	-	1.5	2.0
Ultimate rejection	dB	-	80	-
Substrate	-	-	36 YX quartz	-
Temperature range	°C	-55	22	85

Notes:

1. The design, manufacturing process, and specifications of this filter are subject to change.
2. Specification valid for measurements in AEC Design test fixture.

Case



Matching

