

Low Loss SAW 560 MHz Filter

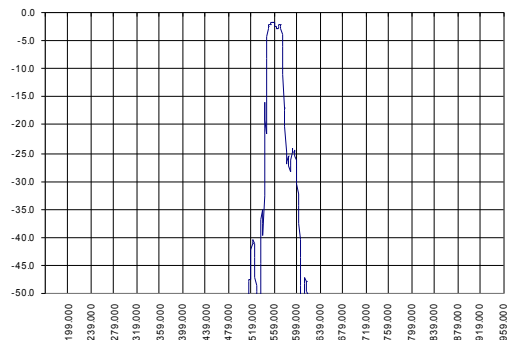
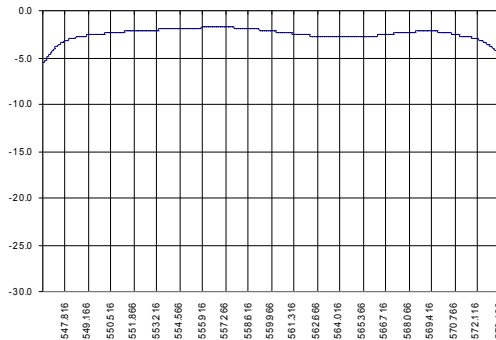
Bandwidth 24 MHz

Part Number A085-560M1

Complies with Directive 2002/95/EC (RoHS)

PRELIMINARY DATA

Typical performance



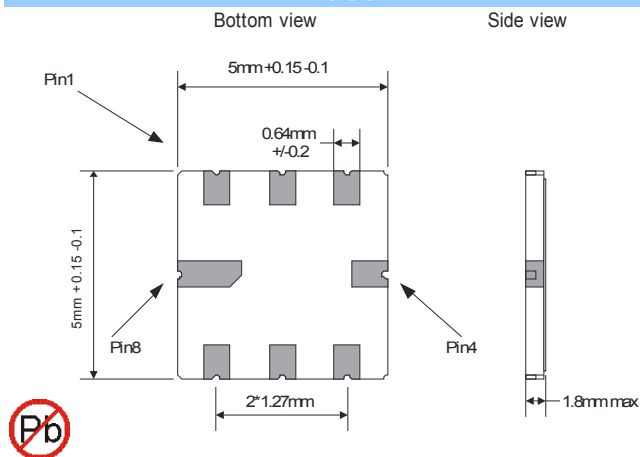
Specifications

Parameter	Unit	Min	Typ	Max
Central frequency	MHz	559.2	560.0	560.8
Inserted loss (unmatched)	dB	1.7	1.9	2.3
Bandwidth @-2dB	MHz	23.0	24.5	26.0
Bandwidth @-35dB	MHz	-	64	66
Amplitude ripple (in bandwidth 22 MHz)	dB	1.0	1.5	-
Ultimate rejection	dB	35	40	-
Substrate	-	-	64LNO	-
Temperature range	°C	-55	22	85

Notes:

- The design, manufacturing process, and specifications of this filter are subject to change.
- Specification valid for measurements in AEC Design test fixture.

Case



Matching

