

Low Loss SAW 447 MHz Filter

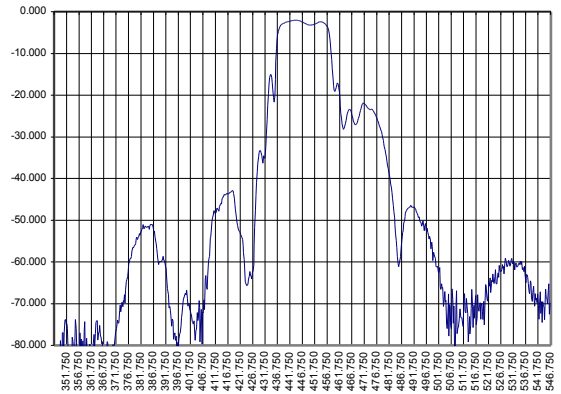
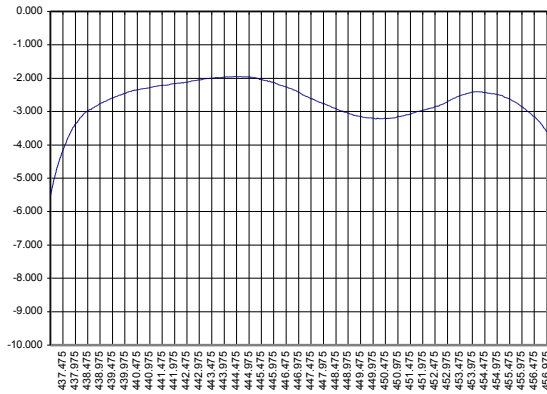
Bandwidth 18 MHz

Part Number A085-447M1

Complies with Directive 2002/95/EC (RoHS)

PRELIMINARY DATA

Typical performance



Specifications

Parameter	Unit	Min	Typ	Max
Central frequency	MHz	446.5	447.0	448.0
Inserted loss	dB	1.8	2.0	2.2
Bandwidth @-2dB	MHz	18	19	20
Bandwidth @-30dB	MHz	-	48	-
Bandwidth @-40dB	MHz	-	54	-
Amplitude ripple	dB	0.9	1.5	1.9
Ultimate rejection @10MHz... 1000MHz	dB	50	55	70
Substrate	-	-	64YX LiNbO3	-
Temperature range	°C	-55	22	85

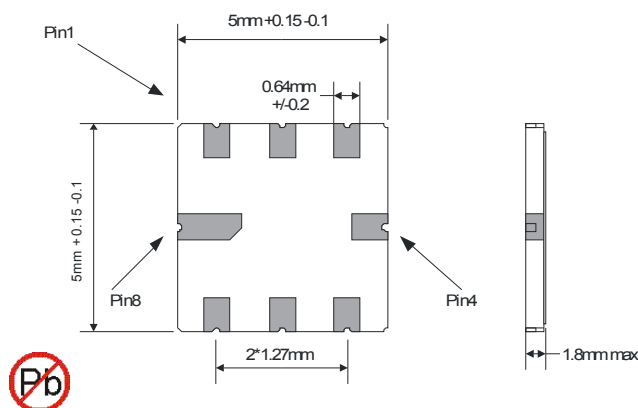
Notes:

1. The design, manufacturing process, and specifications of this filter are subject to change.
2. Specification valid for measurements in AEC Design test fixture.

Case

Bottom view

Side view



Matching

