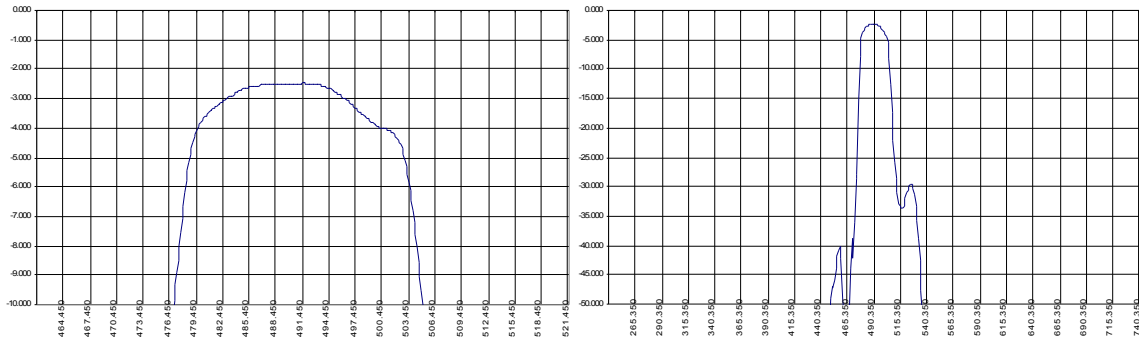


Low Loss SAW 491.6 MHz Filter

Bandwidth 24 MHz

Part Number A084-491.6M1

Typical performance



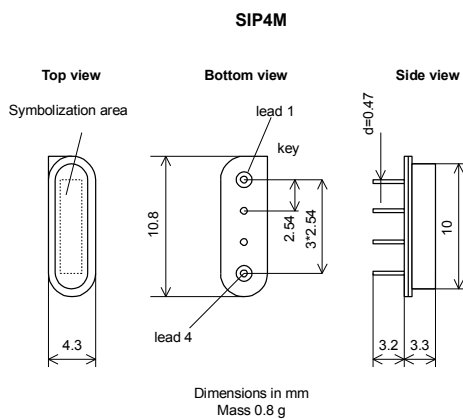
Specifications

| Parameter | Unit | Min | Typ | Max |
|--------------------|------|--------|--------|--------|
| Central frequency | MHz | 490.10 | 491.60 | 493.10 |
| Inserted loss | dB | - | 1.9 | 2.5 |
| Bandwidth @-2dB | MHz | 20.0 | 23.3 | 25.0 |
| Bandwidth @-25dB | MHz | - | 35.0 | - |
| Bandwidth @-30dB | MHz | - | 60.00 | - |
| Amplitude ripple | dB | 0.4 | 0.6 | 1.0 |
| Ultimate rejection | dB | 40.0 | 50.0 | - |
| Substrate | | - | 64 LNO | - |
| Temperature range | °C | -55.0 | 22.0 | 85.0 |

Notes:

1. The design, manufacturing process, and specifications of this filter are subject to change.
2. Specification valid for measurements in AEC Design test fixture

Case



Matching

