

Low Loss SAW 421 MHz Filter

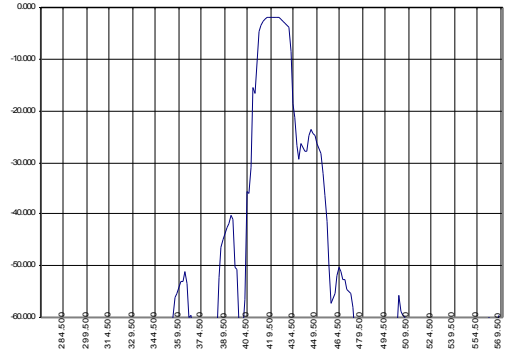
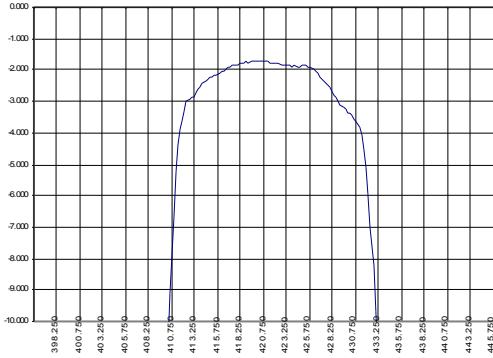
Bandwidth 14 MHz

Part Number A084-421M1

Complies with Directive 2002/95/EC (RoHS)

PRELIMINARY DATA

Typical performance



Specifications

Parameter	Unit	Min	Typ	Max
Central frequency	MHz	420	421	422
Inserted loss	dB	2.0	2.2	3.0
Bandwidth @-1dB	MHz	15.0	15.5	18.0
Bandwidth @-30dB	MHz	-	47	-
Amplitude ripple	dB	-	0.9	1.0
Ultimate rejection	dB	50	55	-
Substrate	-	-	64 YX LiNbO3	-
Temperature range	°C	-55	22	85

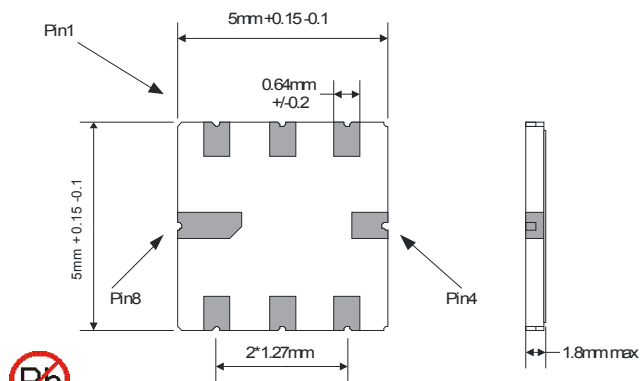
Notes:

1. The design, manufacturing process, and specifications of this filter are subject to change.
2. Specification valid for measurements in AEC Design test fixture.

Case

Bottom view

Side view



Matching

