

Low Loss SAW 64.872 MHz Filter

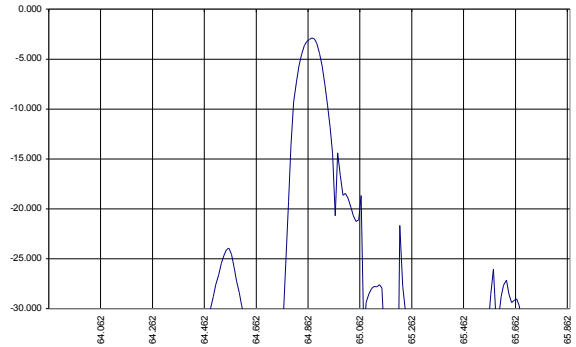
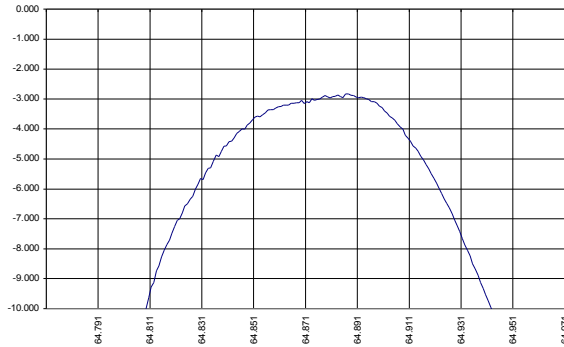
Bandwidth 0.05 MHz

Part Number A077-64.872M1

Complies with Directive 2002/95/EC (RoHS)

PRELIMINARY DATA

Typical performance



Specifications

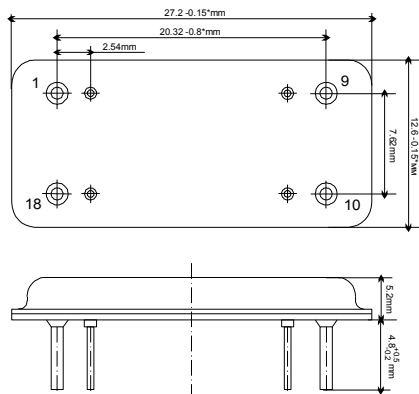
Parameter	Unit	Min	Typ	Max
Central frequency	MHz	64.869	64.872	64.875
Inserted loss	dB	-	2.8	3.3
Bandwidth @-2dB	MHz	0.035	0.040	0.055
Bandwidth @-20dB	MHz	-	0.33	-
Amplitude ripple (100% @-1 dB bandwidth)	dB	0.3	0.5	1.0
Ultimate rejection	dB	45	60	-
Substrate	-	-	37YX Quartz	-
Temperature range	°C	-55	22	85

Notes:

- The design, manufacturing process, and specifications of this filter are subject to change.
- Specification valid for measurements in AEC Design test fixture.

Case

DIP 18



Matching

