

SAW 970 MHz Filter

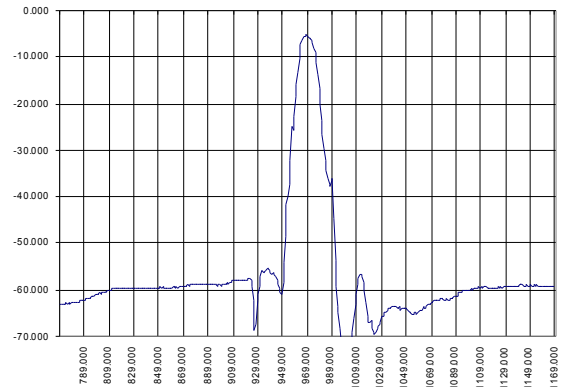
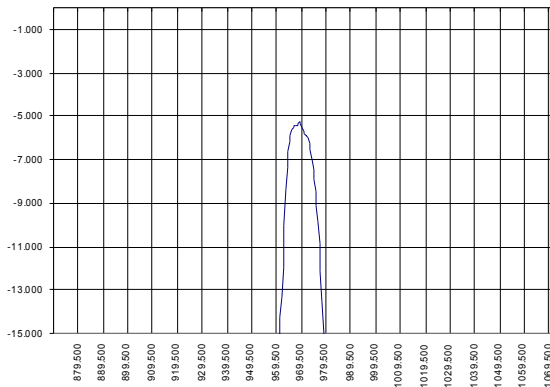
Bandwidth 10 MHz

Part Number A075-970M1

Complies with Directive 2002/95/EC (RoHS)

PRELIMINARY DATA

Typical performance



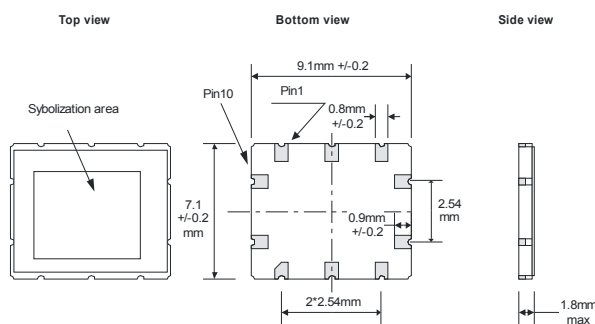
Specifications

Parameter	Unit	Min	Typ	Max
Central frequency	MHz	969	970	971
Inserted loss	dB	-	5.6	6.5
Bandwidth @-2dB	MHz	9.4	10.0	11.5
Bandwidth @-40dB	MHz	-	39	-
Amplitude ripple	dB	-	-	2.0
Ultimate rejection	dB	50	-	-
Substrate	-	-	36 YX LiTaO3	-
Temperature range	°C	-55	22	85

Notes:

1. The design, manufacturing process, and specifications of this filter are subject to change.
2. Specification valid for measurements in AEC Design test fixture.

Case



Matching

