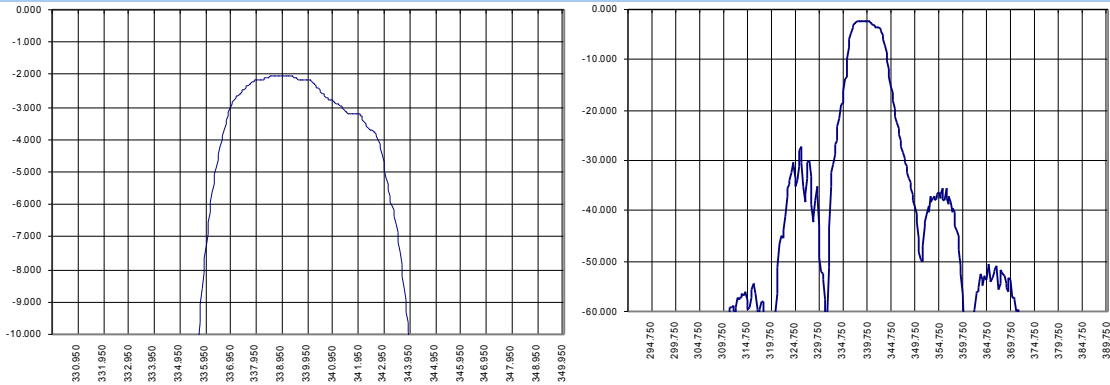


## Low Loss SAW 340 MHz Filter

**Bandwidth 6.1 MHz**

**Part Number A075-340M1**

### Typical performance



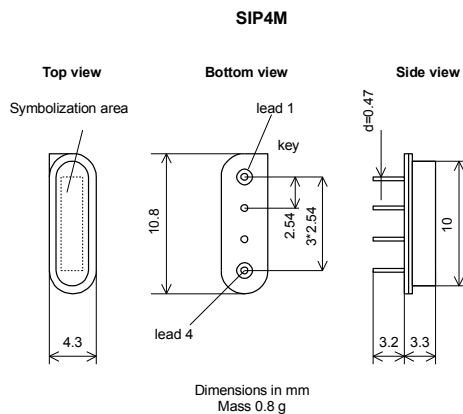
### Specifications

Parameter	Unit	Min	Typ	Max
Central frequency	MHz	339.50	340.00	340.50
Inserted loss	dB	1.7	1.9	2.5
Bandwidth @ -2dB	MHz	-	6.1	-
Bandwidth @ -25dB	MHz	-	13.7	-
Bandwidth @ -40dB	MHz	-	37.00	-
Amplitude ripple	dB	-	0.6	1.0
Ultimate rejection	dB	50.0	60.0	-
Substrate		-	36 LTO	-
Temperature range	°C	-55.0	22.0	85.0

#### Notes:

1. The design, manufacturing process, and specifications of this filter are subject to change.
2. Specification valid for measurements in AEC Design test fixture

### Case



### Matching

