

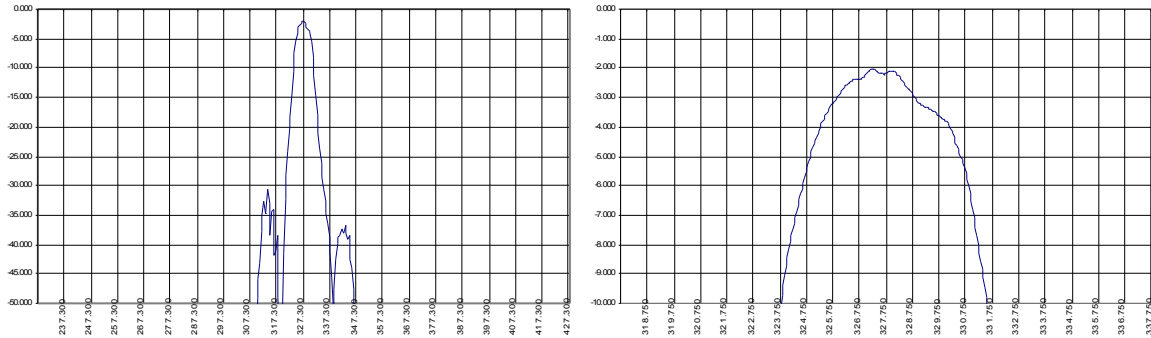
Low Loss SAW 327.8 MHz Filter

Bandwidth 5.1 MHz

Part Number A075-327.8M1

PRELIMINARY DATA

Typical performance



Specifications

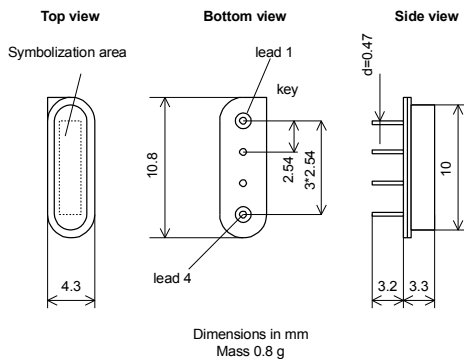
Parameter	Unit	Min	Typ	Max
Central frequency	MHz	327.30	327.80	328.30
Inserted loss	dB	1.9	2.1	2.5
Bandwidth @-2dB	MHz	-	5.1	-
Bandwidth @-25dB	MHz	-	13.0	-
Bandwidth @-40dB	MHz	-	34.00	-
Amplitude ripple	dB	-	0.6	1.0
Ultimate rejection	dB	50.0	60.0	-
Substrate		-	36 LTO	-
Temperature range	°C	-55.0	22.0	85.0

Notes:

1. The design, manufacturing process, and specifications of this filter are subject to change.
2. Specification valid for measurements in AEC Design test fixture

Case

SIP4M



Matching

