

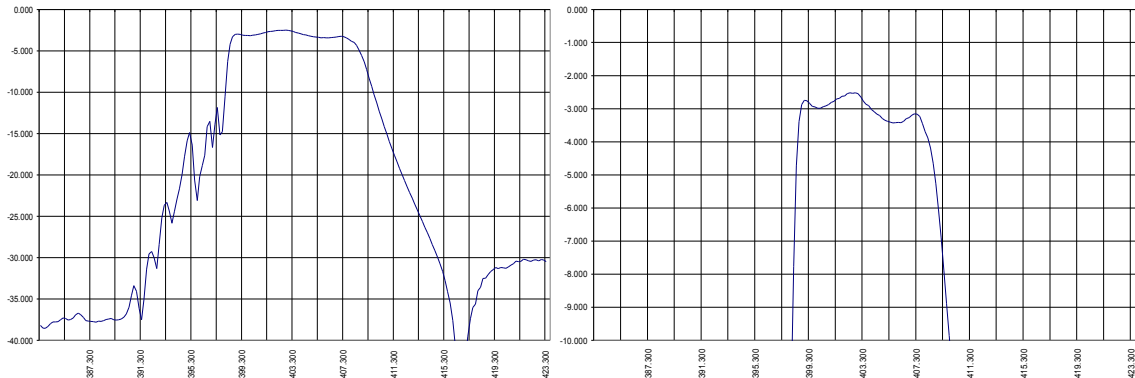
# Low Loss SAW 403.5 MHz Filter

## Bandwidth 9 MHz

Part Number A073-403.5M1

PRELIMINARY DATA

### Typical performance



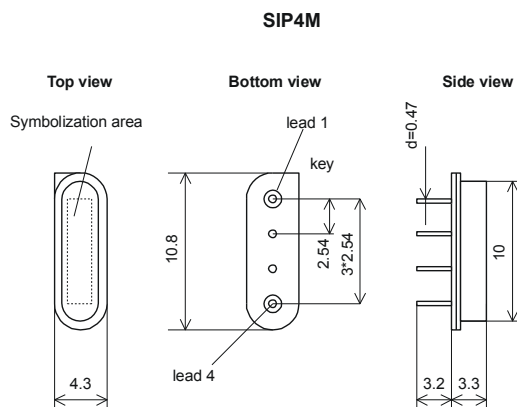
### Specifications

Parameter	Unit	Min	Typ	Max
Central frequency	MHz	403.00	403.50	404.00
Inserted loss	dB	2.0	2.5	3.0
Bandwidth @-1dB	MHz	8.50	9.00	9.50
Bandwidth @-30dB	MHz	-	23.50	-
Amplitude ripple	dB	0.5	1.0	1.2
Ultimate rejection	dB	40.0	45.0	-
Delay ripple	nsec	-	30.00	-
Substrate		-	36LTO	-
Temperature range	°C	-55.0	22.0	65.0

#### Notes:

1. The design, manufacturing process, and specifications of this filter are subject to change.
2. Specification valid for measurements in AEC Design test fixture

### Case



Dimensions in mm  
Mass 0.8 g

### Matching

