

# Low Loss SAW 164.85 MHz Filter

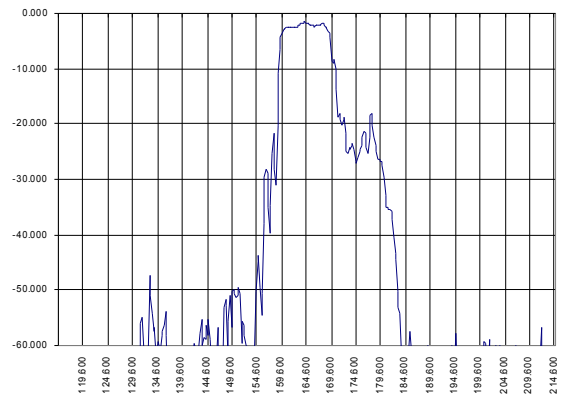
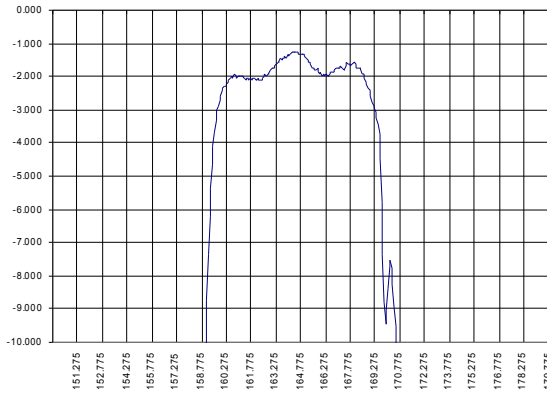
Bandwidth 8.9 MHz

Part Number A072-164.85M1

Complies with Directive 2002/95/EC (RoHS)

PRELIMINARY DATA

## Typical performance



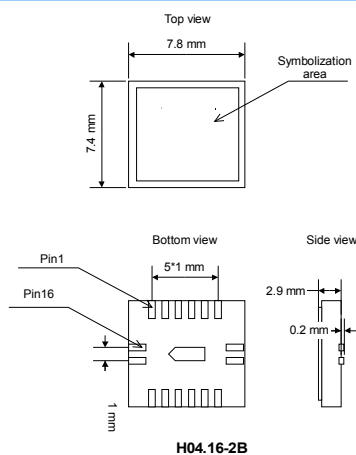
## Specifications

Parameter	Unit	Min	Typ	Max
Central frequency	MHz	164.25	164.85	165.35
Inserted loss	dB	-	1.5	2.0
Bandwidth @-1.2dB	MHz	-	8.92	-
Bandwidth @-40dB	MHz	-	26.5	-
Amplitude ripple	dB	-	1.0	1.5
Ultimate rejection	dB	-	60	-
Substrate	-	-	49 YX LiNbO3	-
Temperature range	°C	-55	22	85

### Notes:

1. The design, manufacturing process, and specifications of this filter are subject to change.
2. Specification valid for measurements in AEC Design test fixture.

## Case



## Matching

