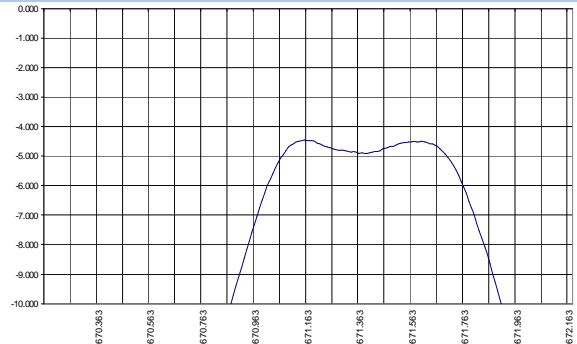
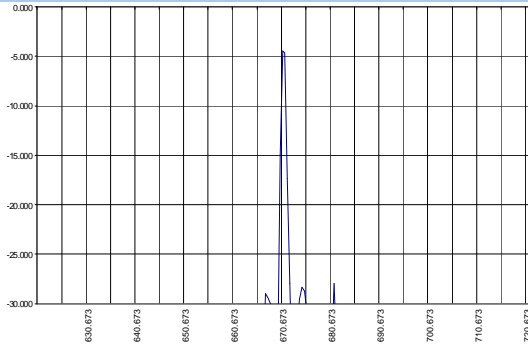


# Low Loss SAW 671.25 MHz Filter

## Bandwidth 0.65 MHz

Part Number A070-671.25M1

### Typical performance



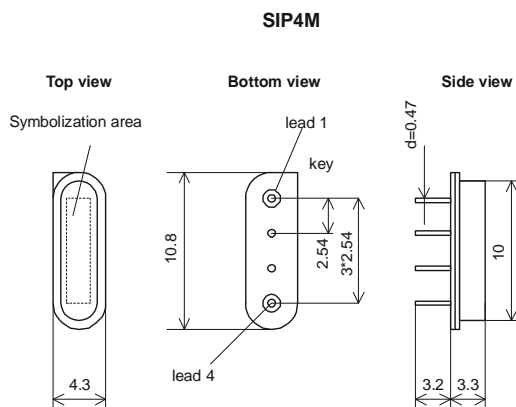
### Specifications

Parameter	Unit	Min	Typ	Max
Central frequency	MHz	671.20	671.25	672.35
Inserted loss	dB	3.5	5.0	6.0
Bandwidth @-1dB	MHz	0.50	0.65	0.70
Bandwidth @-30dB	MHz	-	3.70	-
Amplitude ripple	dB	0.4	0.5	1.0
Ultimate rejection	dB	35.0	40.0	45.0
Delay time	mksec	-	0.17	-
Substrate		-	36YX quartz	-
Temperature range	°C	-55.0	22.0	85.0

#### Notes:

1. The design, manufacturing process, and specifications of this filter are subject to change.
2. Specification valid for measurements in AEC Design test fixture

### Case



Dimensions in mm  
Mass 0.8 g

### Matching

