

Low Loss SAW 439.25 MHz Filter

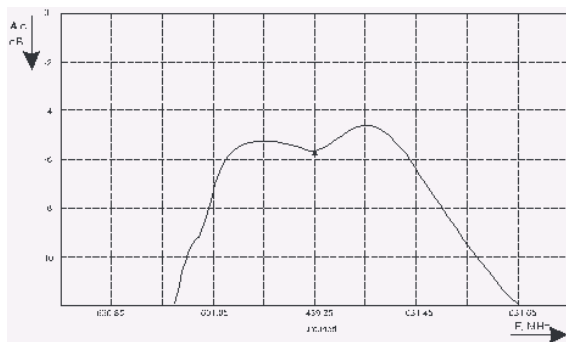
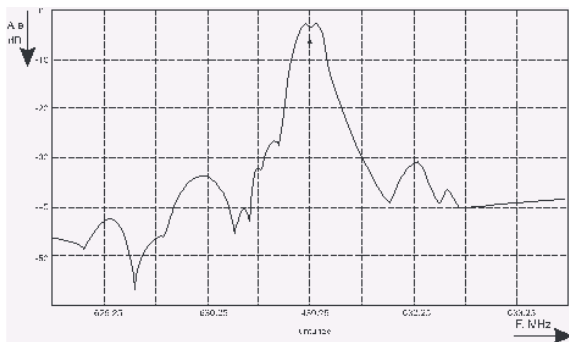
Bandwidth 0.44 MHz

Part Number A070-439.25M1

Complies with Directive 2002/95/EC (RoHS)

PRELIMINARY DATA

Typical performance



Specifications

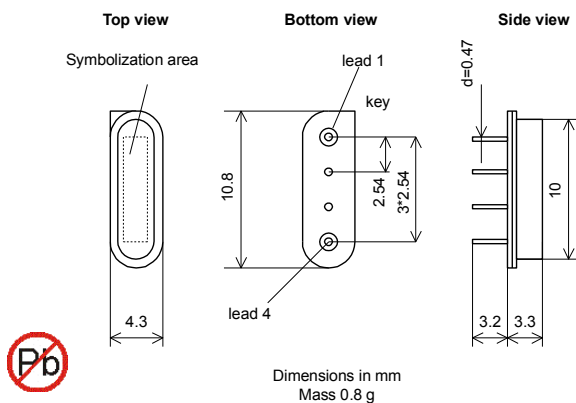
Parameter	Unit	Min	Typ	Max
Central frequency	MHz	439.20	439.25	-
Inserted loss (unmatched)	dB	3.5	5.0	-
Bandwidth @-1dB	MHz	0.40	0.44	-
Bandwidth @-30dB	MHz	-	2	-
Amplitude ripple	dB	-	NS	-
Ultimate rejection	dB	45	50	-
Substrate	-	-	36Quartz	-
Temperature range	°C	-55	22	85

Notes:

1. The design, manufacturing process, and specifications of this filter are subject to change.
2. Specification valid for measurements in AEC Design test fixture.

Case

SIP4M



Matching

