

Low Loss SAW 70 MHz Filter

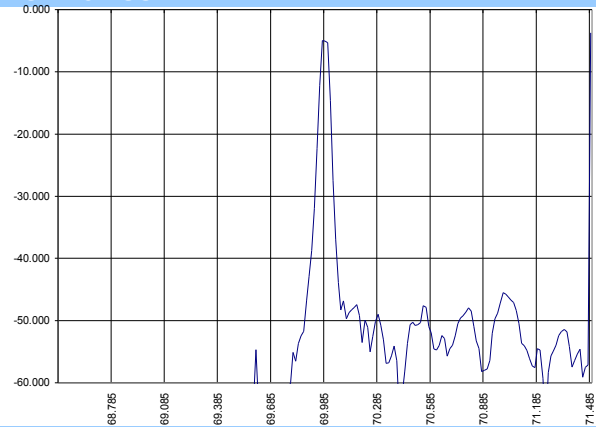
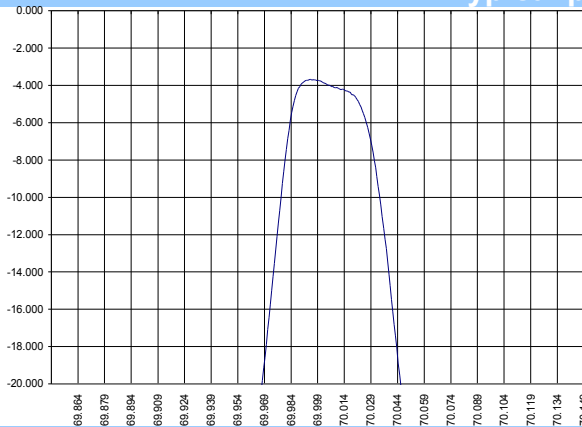
Bandwidth 0.4 MHz

Part Number A060-70M2

Complies with Directive 2002/95/EC (RoHS)

PRELIMINARY DATA

Typical performance



Specifications

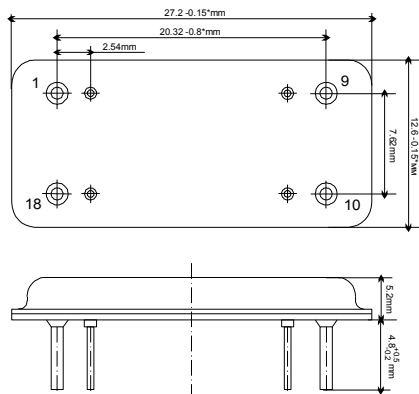
Parameter	Unit	Min	Typ	Max
Central frequency	MHz	69.990	70.000	70.010
Inserted loss (unmatched)	dB	-	4.0	5.0
Bandwidth @-2dB	MHz	0.04	0.041	-
Bandwidth @-30dB	MHz	-	0.11	-
Amplitude ripple (100% @-1 bandwidth)	dB	-	-	1.0
Ultimate rejection	dB	-	45.0	-
Substrate	-	-	37 quartz	-
Temperature range	°C	-55	22	85

Notes:

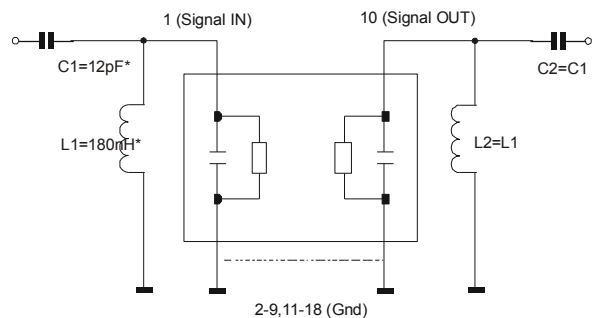
- The design, manufacturing process, and specifications of this filter are subject to change.
- Specification valid for measurements in AEC Design test fixture.

Case

DIP 18



Matching



*Matching conditions depended on PCB layout