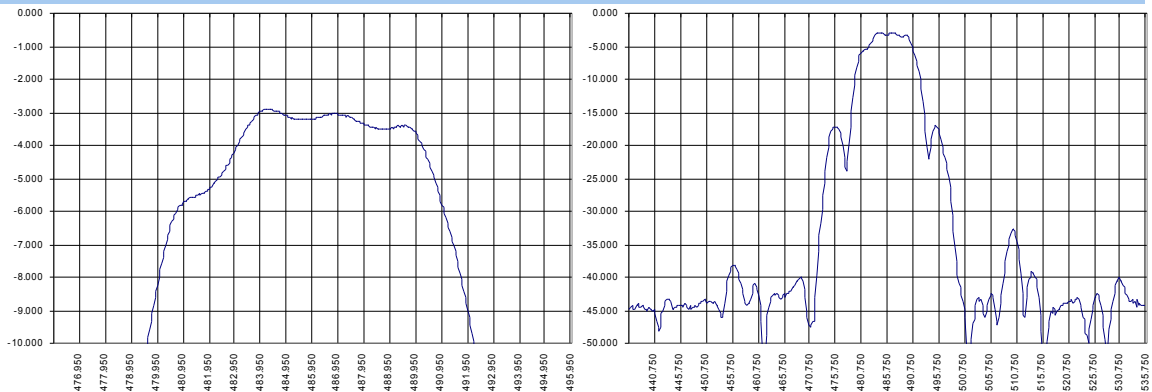


# Low Loss SAW 486.9 MHz Filter

## Bandwidth 8.15 MHz

Part Number A058-486.9M1

### Typical performance



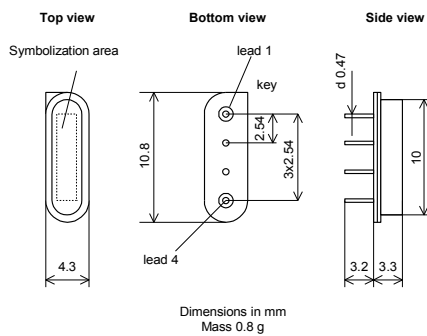
### Specifications

Parameter	Unit	Min	Typ	Max
Central frequency	MHz	486.10	486.90	487.70
Inserted loss	dB	-	2.9	3.2
Bandwidth @-2dB	MHz	7.80	8.15	9.00
Bandwidth @-30dB	MHz	-	25.75	-
Amplitude ripple	dB	-	1.0	1.8
Ultimate rejection	dB	-	45.0	-
Substrate	-	-	128 YX LiNbO <sub>3</sub>	-
Temperature range	°C	-55.0	22.0	85.0

#### Notes:

- The design, manufacturing process, and specifications of this filter are subject to change.
- Specification valid for measurements in AEC Design test fixture

### Case



### Matching

