

Low Loss SAW 465.5 MHz Filter

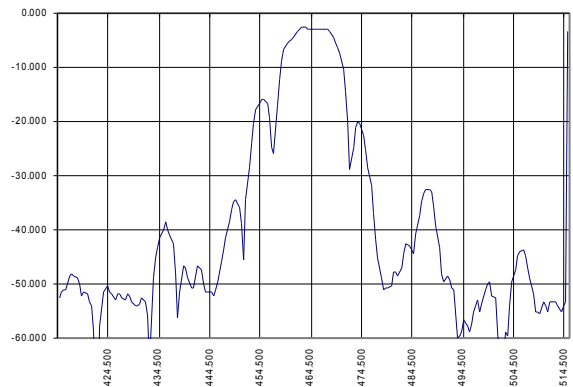
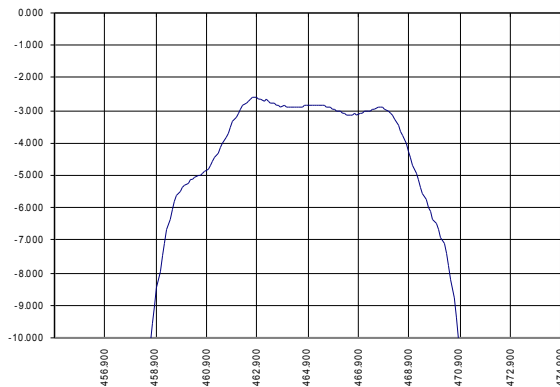
Bandwidth 7.6 MHz

Part Number A058-465.5M1

Complies with Directive 2002/95/EC (RoHS)

PRELIMINARY DATA

Typical performance



Specifications

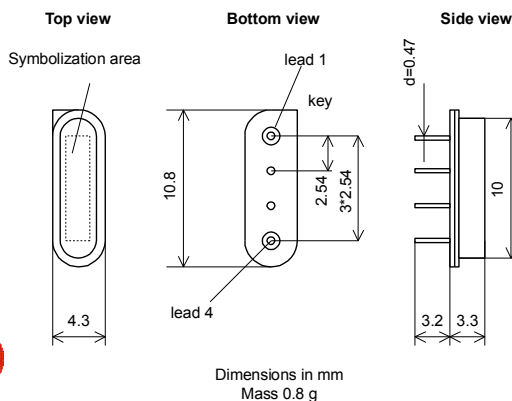
| Parameter | Unit | Min | Typ | Max |
|--------------------|------|-------|--------------|-------|
| Central frequency | MHz | 465.0 | 465.5 | 466.0 |
| Inserted loss | dB | 2.0 | 2.5 | 3.0 |
| Bandwidth @-2dB | MHz | 7.4 | 7.6 | 8.8 |
| Bandwidth @-30dB | MHz | - | 24.00 | - |
| Amplitude ripple | dB | 0.4 | 0.5 | 1.0 |
| Ultimate rejection | dB | 45 | 50 | - |
| Substrate | - | - | 64 YX LiNbO3 | - |
| Temperature range | °C | -55 | 22 | 85 |

Notes:

1. The design, manufacturing process, and specifications of this filter are subject to change.
2. Specification valid for measurements in AEC Design test fixture.

Case

SIP4M



Matching

