

Low Loss SAW 393.1 MHz Filter

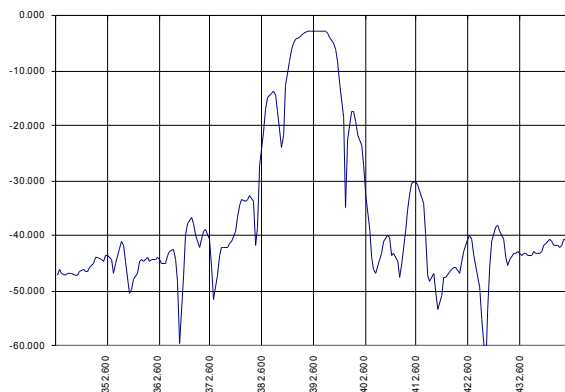
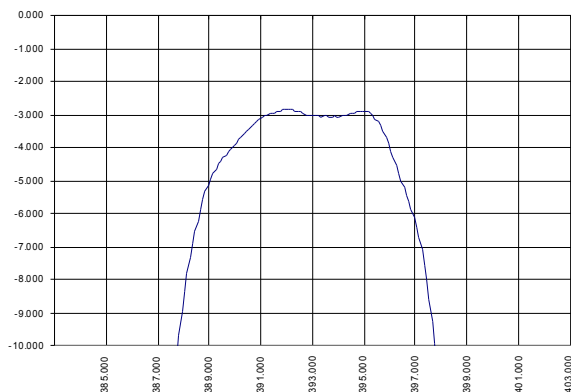
Bandwidth 7.3 MHz

Part Number A058-393.1M2

Complies with Directive 2002/95/EC (RoHS)

PRELIMINARY DATA

Typical performance



Specifications

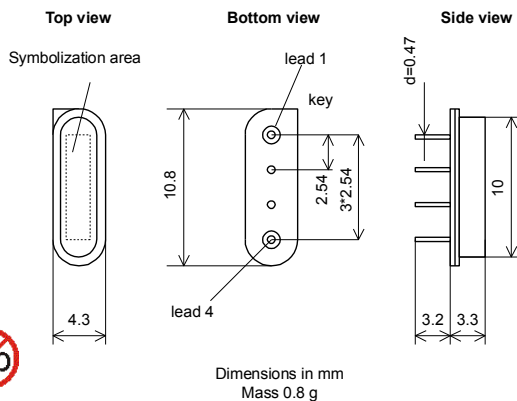
Parameter	Unit	Min	Typ	Max
Central frequency	MHz	392.6	393.1	393.6
Inserted loss	dB	-	2.9	3.2
Bandwidth @-2dB	MHz	7.0	7.3	8.0
Bandwidth @-30dB	MHz	-	22.5	-
Amplitude ripple	dB	-	1	2
Ultimate rejection	dB	-	60	-
Substrate	-	-	128 YX LiNbo3	-
Temperature range	°C	-55	22	85

Notes:

1. The design, manufacturing process, and specifications of this filter are subject to change.
2. Specification valid for measurements in AEC Design test fixture.

Case

SIP4M



Matching

