

Low IL SAW 164.5 MHz Filter

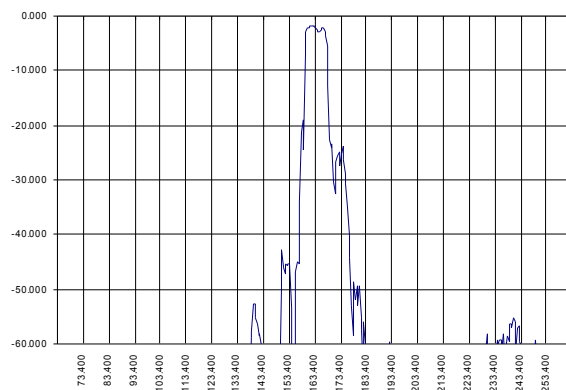
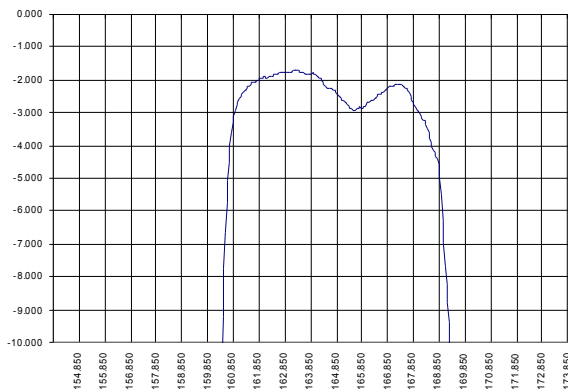
Bandwidth 7.7 MHz

Part Number A055-164.5M1

Complies with Directive 2002/95/EC (RoHS)

PRELIMINARY DATA

Typical performance



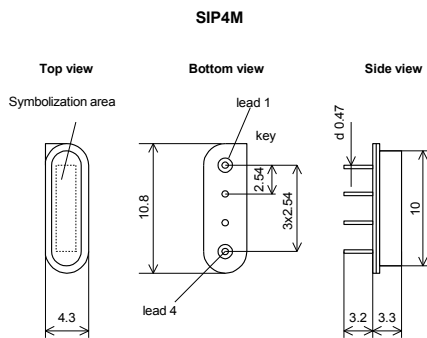
Specifications

Parameter	Unit	Min	Typ	Max
Central frequency	MHz	164.25	164.50	164.75
Inserted loss	dB	-	1.4	2.0
Bandwidth @-2dB	MHz	7.3	7.7	8.0
Bandwidth @-40dB	MHz	-	20	-
Amplitude ripple	dB	-	0.9	1.5
Ultimate rejection	dB	40	45	-
Substrate	-	-	64 YX LiNbO3	-
Temperature range	°C	-55	22	85

Notes:

1. The design, manufacturing process, and specifications of this filter are subject to change.
2. Specification valid for measurements in AEC Design test fixture.

Case



Dimensions in mm
Mass 0.8 g



Matching

