

Low Loss SAW 152 MHz Filter

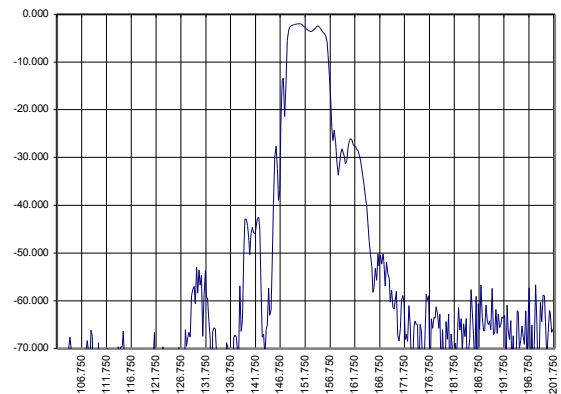
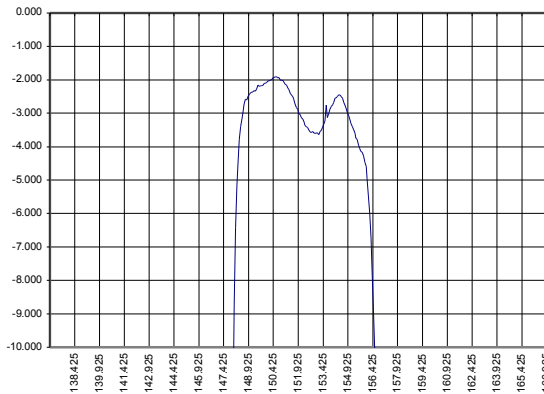
Bandwidth 7.2 MHz

Part Number A055-152M1

Complies with Directive 2002/95/EC (RoHS)

PRELIMINARY DATA

Typical performance



Specifications

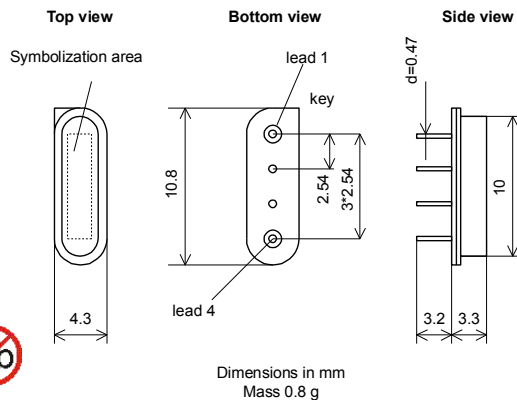
Parameter	Unit	Min	Typ	Max
Central frequency	MHz	151.7	152.0	152.3
Inserted loss (unmatched)	dB	-	1.9	2.2
Bandwidth @-2dB	MHz	-	7.2	-
Bandwidth @-40dB	MHz	-	19.0	-
Amplitude ripple	dB	-	1.7	2.0
Ultimate rejection	dB	50.0	-	-
Substrate			64LNO	
Temperature range	°C	-55	22	85

Notes:

1. The design, manufacturing process, and specifications of this filter are subject to change.
2. Specification valid for measurements in AEC Design test fixture.

Case

SIP4M



Matching

