

Low Loss SAW 109.9 MHz Filter

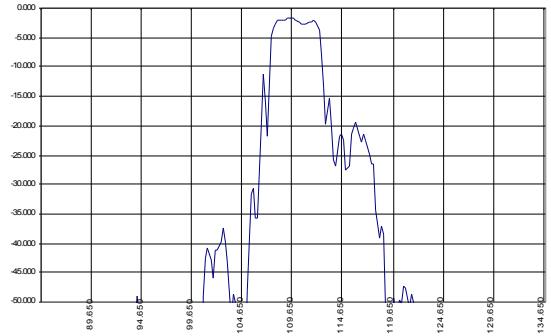
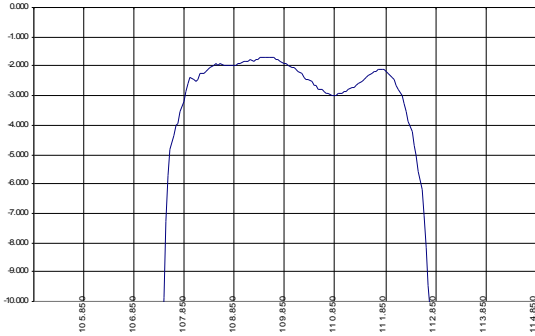
Bandwidth 4 MHz

Part Number A055-109.9M1

Complies with Directive 2002/95/EC (RoHS)

PRELIMINARY DATA

Typical performance



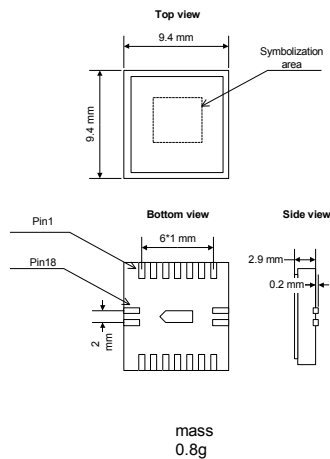
Specifications

Parameter	Unit	Min	Typ	Max
Central frequency	MHz	109.75	109.90	110.05
Inserted loss (unmatched)	dB	1.3	1.5	1.8
Bandwidth @-2dB	MHz	3.8	4.0	4.4
Bandwidth @-30dB	MHz	-	10.5	-
Amplitude ripple	dB	-	1.0	2.0
Ultimate rejection	dB	-	55	-
Substrate	-	-	64 LNO	-
Temperature range	°C	-55	22	85

Notes:

1. The design, manufacturing process, and specifications of this filter are subject to change.
2. Specification valid for measurements in AEC Design test fixture.

Case



Matching

