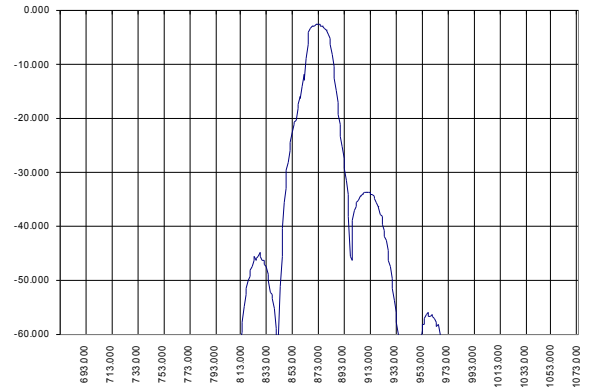
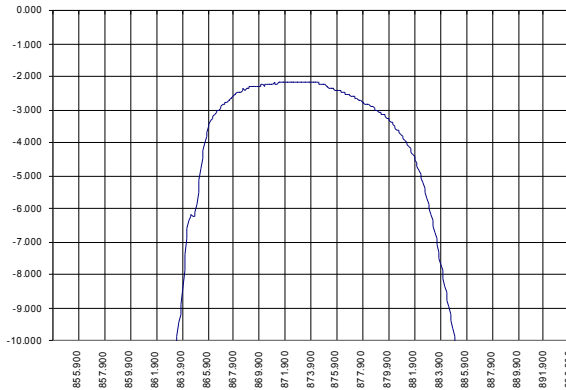


Low Loss SAW 874 MHz Filter

Bandwidth 15.9 MHz

Part Number A053-874M1

Typical performance



Specifications

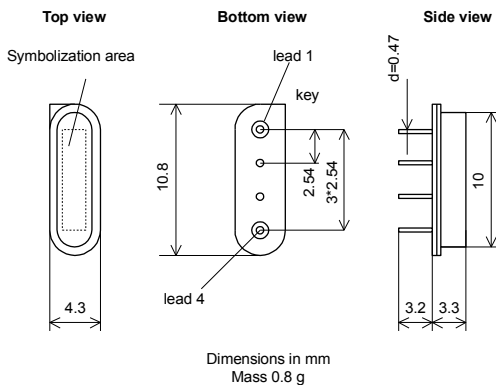
Parameter	Unit	Min	Typ	Max
Central frequency	MHz		874.00	
Inserted loss	dB	-	2.1	2.5
Bandwidth @-2dB	MHz	14.0	15.9	16.5
Bandwidth @-30dB	MHz	-	47.00	-
Amplitude ripple	dB	-	0.6	1.0
Group Delay Ripple	nsec	-	20.0	-
Ultimate rejection	dB	-	50.0	-
Substrate			36 LTO	
Temperature range	°C	-55.0	22.0	85.0

Notes:

1. The design, manufacturing process, and specifications of this filter are subject to change.
2. Specification valid for measurements in AEC Design test fixture

Case

SIP4M



Matching

