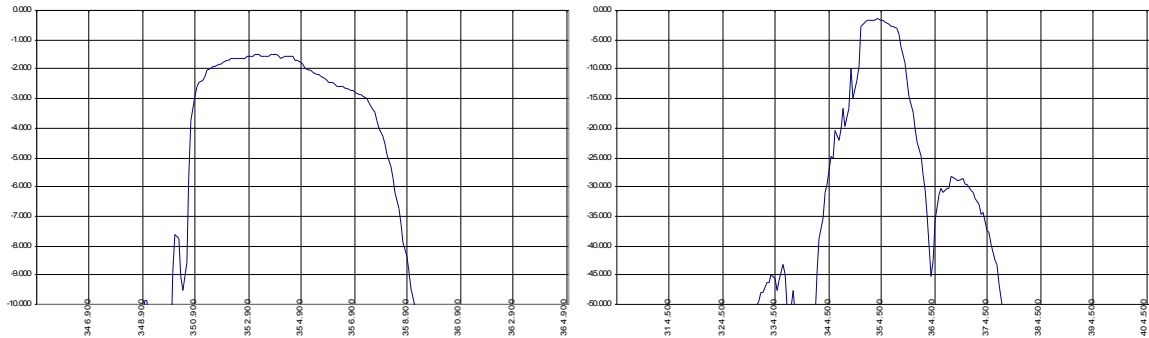


# Low Loss SAW 355.37 MHz Filter

**Bandwidth 9.8 MHz**

**Part Number A053-355.37M1**

## Typical performance



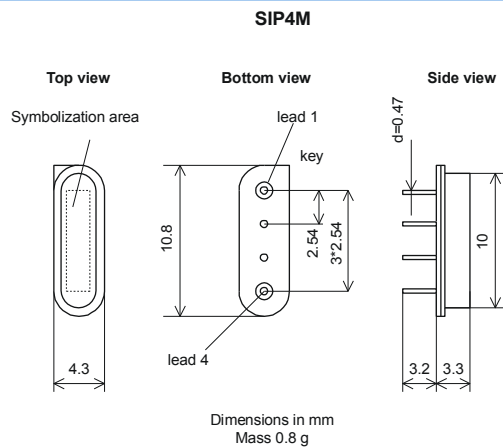
## Specifications

Parameter	Unit	Min	Typ	Max
Central frequency	MHz	354.37	355.37	356.37
Inserted loss	dB	1.6	1.6	1.9
Bandwidth @-2dB	MHz	-	6.9	-
Bandwidth @-25dB	MHz	-	17.0	-
Bandwidth @-30dB	MHz	-	33.00	-
Amplitude ripple	dB	0.4	0.6	1.0
Ultimate rejection	dB	40.0	50.0	-
Substrate		-	36 LTO	-
Temperature range	°C	-55.0	22.0	85.0

### Notes:

1. The design, manufacturing process, and specifications of this filter are subject to change.
2. Specification valid for measurements in AEC Design test fixture

## Case



## Matching

