

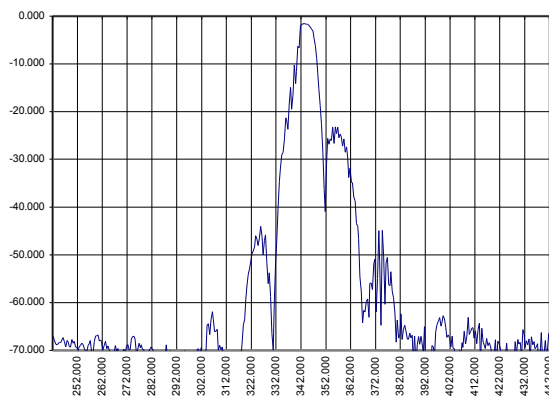
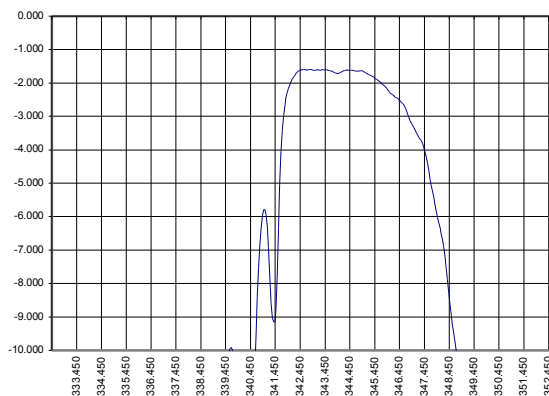
SAW 344.4 MHz Filter

Bandwidth 5.0 MHz

Part Number A053-344.4M1

PRELIMINARY DATA

Typical performance



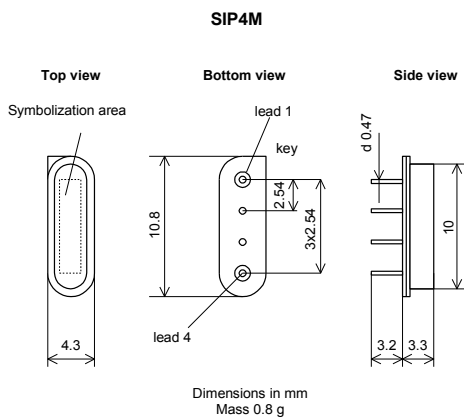
Specifications

Parameter	Unit	Min	Typ	Max
Central frequency	MHz	344.10	344.40	344.70
Inserted loss	dB	-	1.6	2.0
Bandwidth @-2dB	MHz	5.0	5.4	-
Bandwidth @-40dB	MHz	-	31.5	-
Amplitude ripple	dB	-	-	2.0
Ultimate rejection	dB	40.0	-	-
Substrate			36 YX LiTaO3	
Temperature range	°C	-55	22	85

Notes:

1. The design, manufacturing process, and specifications of this filter are subject to change.
2. Specification valid for measurements in AEC Design test fixture

Case



Matching

