

# Low Loss SAW 277.5 MHz Filter

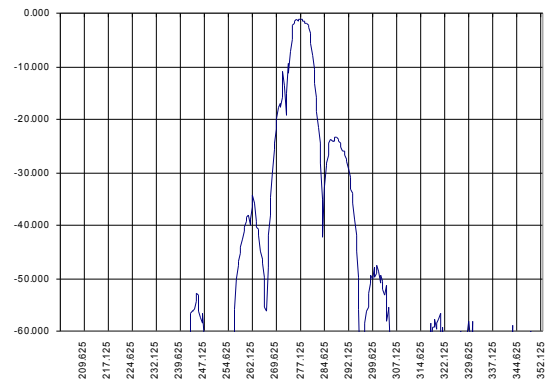
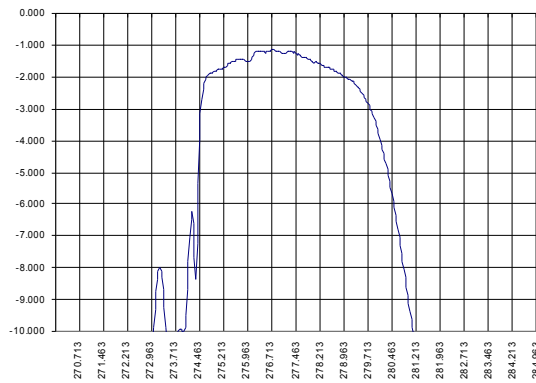
Bandwidth 5.1 MHz

Part Number A053-277.5M1

Complies with Directive 2002/95/EC (RoHS)

PRELIMINARY DATA

## Typical performance



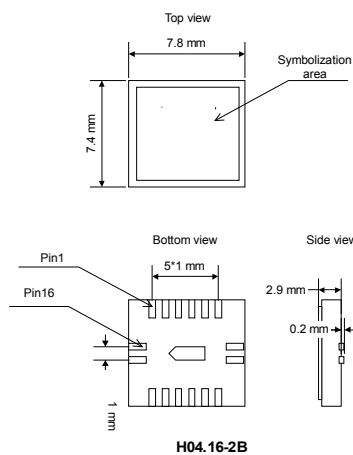
## Specifications

Parameter	Unit	Min	Typ	Max
Central frequency	MHz	277.1	277.5	278.0
Inserted loss	dB	-	1.2	1.5
Bandwidth @-2dB	MHz	5.0	5.1	5.5
Bandwidth @-3dB	MHz	-	6	-
Bandwidth @-40dB	MHz	-	34.0	35.5
Amplitude ripple	dB	0.5	1.0	-
Ultimate rejection	dB	-	45	-
Substrate	-	-	36LTO	-
Temperature range	°C	-55	22	85

### Notes:

1. The design, manufacturing process, and specifications of this filter are subject to change.
2. Specification valid for measurements in AEC Design test fixture.

## Case



## Matching

