

# Low Loss SAW 228 MHz Filter

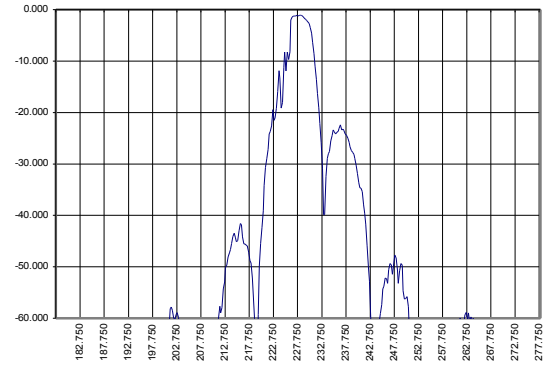
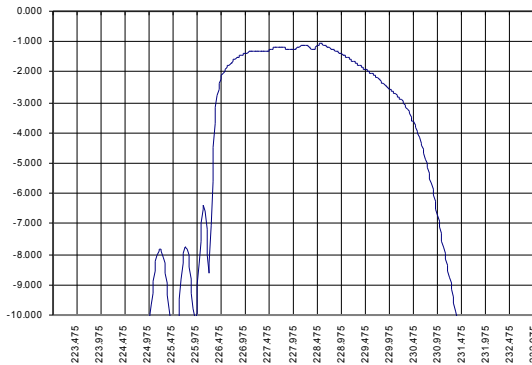
Bandwidth 3.9 MHz

Part Number A053-228M1

Complies with Directive 2002/95/EC (RoHS)

PRELIMINARY DATA

## Typical performance



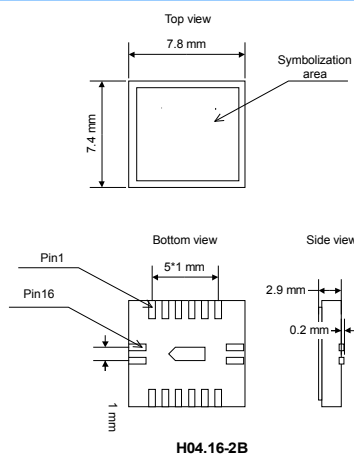
## Specifications

Parameter	Unit	Min	Typ	Max
Central frequency	MHz	227.64	228.00	228.40
Inserted loss	dB	1.0	1.2	1.5
Bandwidth @-2dB	MHz	-	3.9	4.1
Bandwidth @-3dB	MHz	-	4.25	-
Bandwidth @-30dB	MHz	-	26	-
Amplitude ripple	dB	0.3	0.5	1.0
Ultimate rejection	dB	-	40	-
Substrate	-	-	36LTO	-
Temperature range	°C	-55	22	85

### Notes:

1. The design, manufacturing process, and specifications of this filter are subject to change.
2. Specification valid for measurements in AEC Design test fixture.

## Case



## Matching

