

Low Loss SAW 467.9 MHz Filter

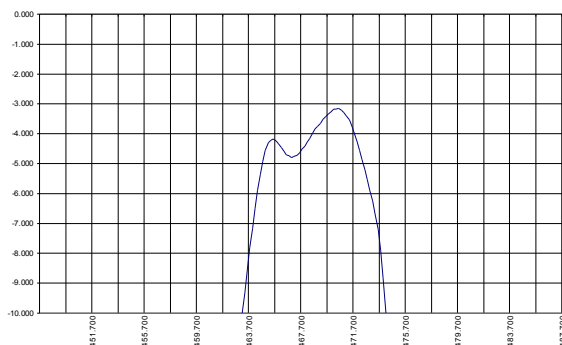
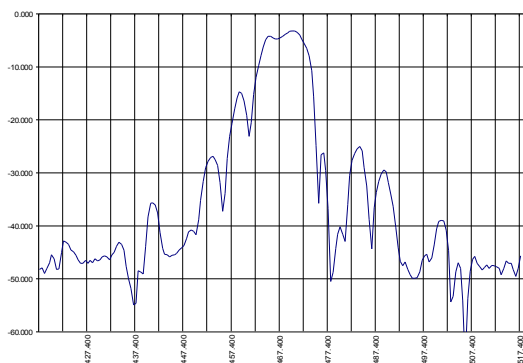
Bandwidth 7.6 MHz

Part Number A032-467.9M2

Complies with Directive 2002/95/EC (RoHS)

PRELIMINARY DATA

Typical performance



Specifications

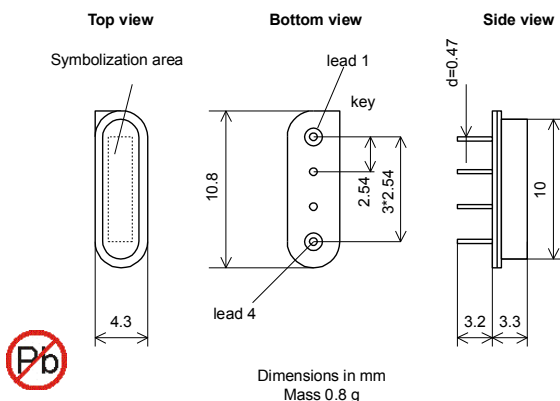
Parameter	Unit	Min	Typ	Max
Central frequency	MHz	467.0	467.9	469.0
Inserted loss	dB	2.5	3.0	3.8
Bandwidth @-2dB	MHz	7.0	7.6	8.8
Bandwidth @-30dB	MHz	-	40	-
Amplitude ripple	dB	0.4	0.5	1.0
Ultimate rejection	dB	45	50	-
Substrate	-	-	128 LNO	-
Temperature range	°C	-55	22	85

Notes:

1. The design, manufacturing process, and specifications of this filter are subject to change.
2. Specification valid for measurements in AEC Design test fixture.

Case

SIP4M



Matching

