

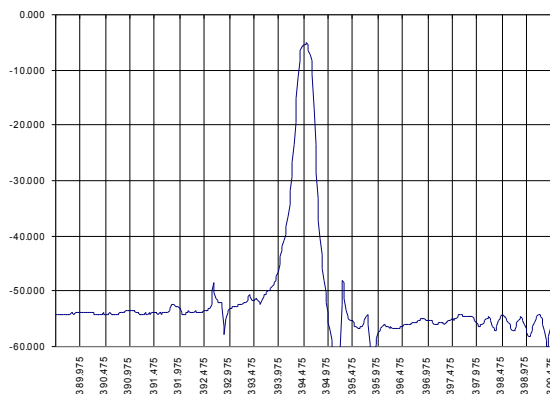
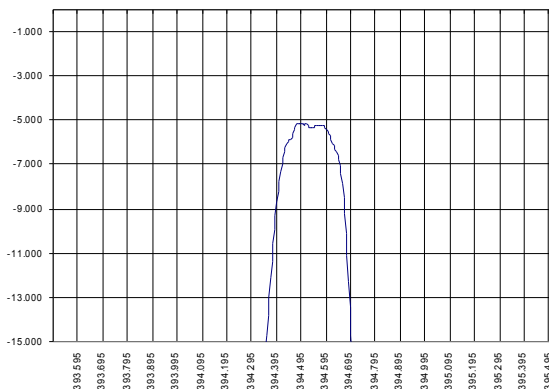
Low Loss SAW 394.5 MHz Filter

Bandwidth 0.2 MHz

Part Number A030-394.5M1

PRELIMINARY DATA

Typical performance



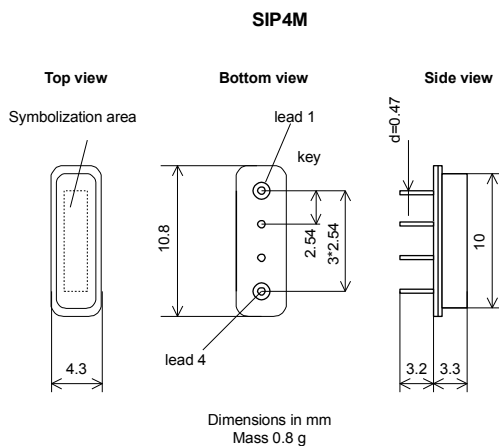
Specifications

Parameter	Unit	Min	Typ	Max
Central frequency	MHz	-	394.50	-
Inserted loss	dB	-	-5.2	-6.0
Bandwidth @-2dB	MHz	-	0.22	-
Bandwidth @-30dB	MHz	-	0.60	-
Amplitude ripple	dB	-	-	2.0
Ultimate rejection	dB	-	40.0	-
Substrate			37 quartz	
Temperature range	°C	-55	22	85

Notes:

1. The design, manufacturing process, and specifications of this filter are subject to change.
2. Specification valid for measurements in AEC Design test fixture

Case



Matching

