

Low Loss SAW 270 MHz Filter

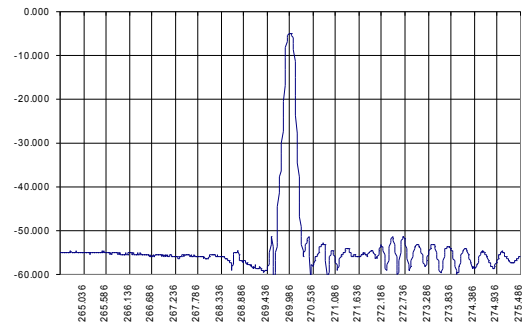
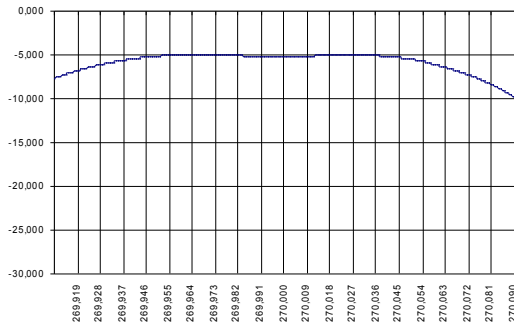
Bandwidth 0.15 MHz

Part Number A030-270M1

Complies with Directive 2002/95/EC (RoHS)

PRELIMINARY DATA

Typical performance



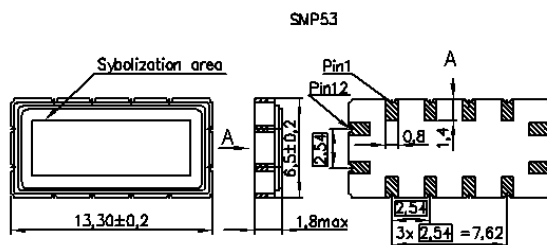
Specifications

Parameter	Unit	Min	Typ	Max
Central frequency	MHz	269.96	270.00	270.04
Inserted loss (unmatched)	dB	4.0	4.6	5.2
Bandwidth @-2dB	MHz	-	0.15	0.17
Bandwidth @-40dB	MHz	0.50	0.52	0.55
Amplitude ripple	dB	-	1	2
Ultimate rejection	dB	-	65	-
Substrate	-	-	36Quartz	-
Temperature range	°C	-55	22	85

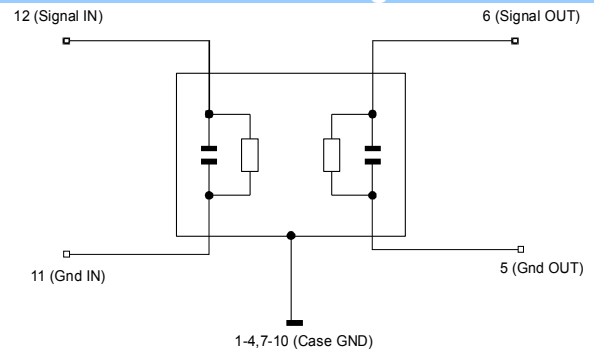
Notes:

1. The design, manufacturing process, and specifications of this filter are subject to change.
2. Specification valid for measurements in AEC Design test fixture.

Case



Matching



Matched: series capacitor 4-20 pf and parallel inductor 39 nH at input/ output port.

