

# Low Loss SAW 235 MHz Filter

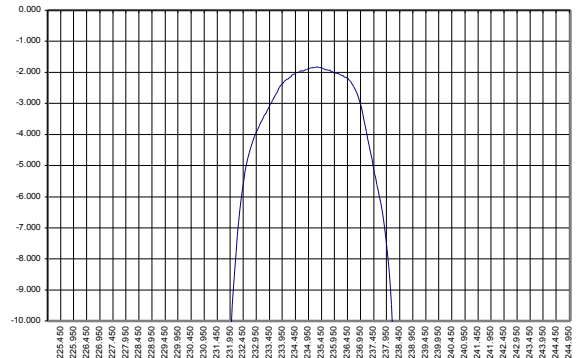
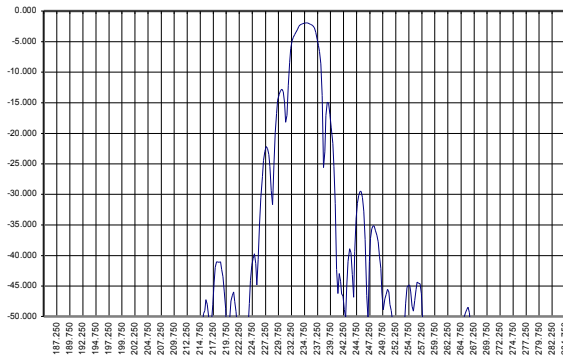
Bandwidth 4 MHz

Part Number A022-235M1

Complies with Directive 2002/95/EC (RoHS)

PRELIMINARY DATA

## Typical performance



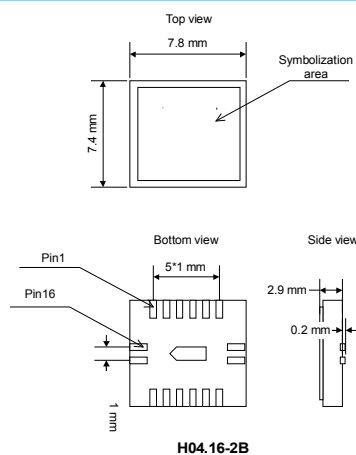
## Specifications

Parameter	Unit	Min	Typ	Max
Central frequency	MHz	234.5	235.0	235.5
Inserted loss	dB	-	1.9	2.5
Bandwidth @-2dB	MHz	3.80	4.25	4.70
Bandwidth @-25dB	MHz	-	14	15
Bandwidth @-30dB	MHz	-	19	20
Amplitude ripple	dB	-	0.5	1.0
Ultimate rejection	dB	50	-	-
Substrate	-	-	128LNO	-
Temperature range	°C	-55	22	85

### Notes:

1. The design, manufacturing process, and specifications of this filter are subject to change.
2. Specification valid for measurements in AEC Design test fixture.

## Case



## Matching

