

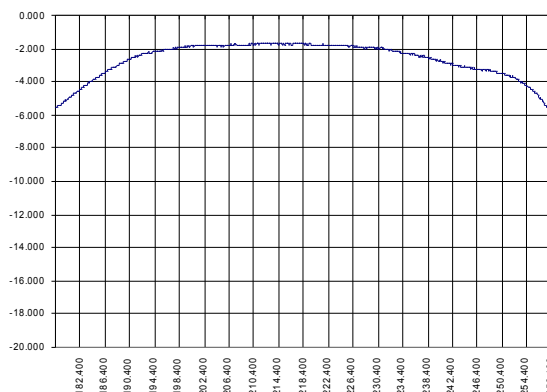
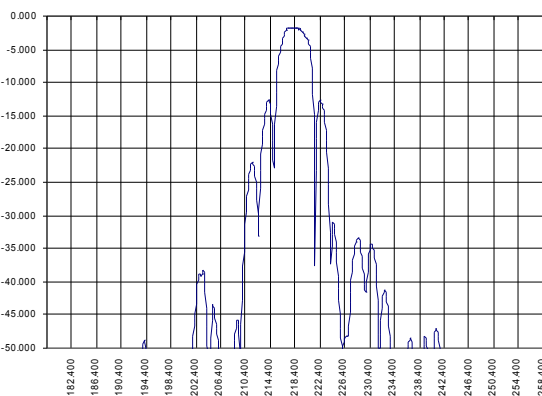
Low Loss SAW 218.5 MHz Filter

Bandwidth 4.4 MHz

Part Number A022-218.5M1

PRELIMINARY DATA

Typical performance



Specifications

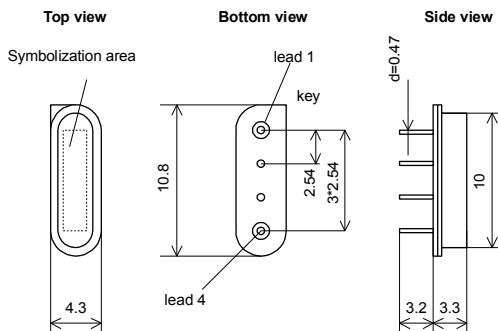
Parameter	Unit	Min	Typ	Max
Central frequency	MHz	218.2	218.5	218.8
Inserted loss (unmatched)	dB	-	1.6	2.0
Bandwidth @-2dB	MHz	4.0	4.4	5.0
Bandwidth @-30dB	MHz	-	14	-
Amplitude ripple	dB	-	-	2.0
Ultimate rejection	dB	-	55	60
Substrate		-	128LNO	-
Temperature range	°C	-55	22.5	85

Notes:

1. The design, manufacturing process, and specifications of this filter are subject to change.
2. Specification valid for measurements in AEC Design test fixture

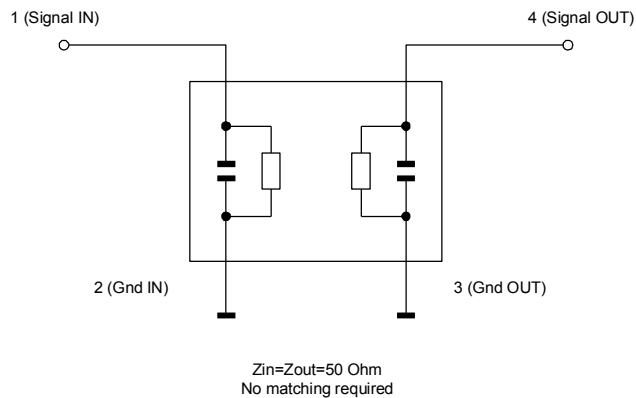
Case

SIP4M



Dimensions in mm
Mass 0.8 g

Matching



$Z_{in}=Z_{out}=50 \text{ Ohm}$
No matching required