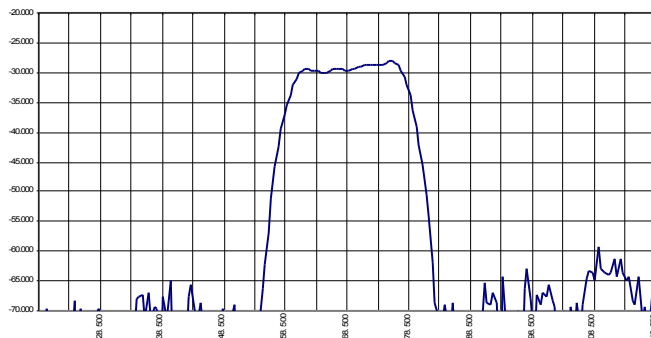


**IF SAW 69 MHz Filter**  
**Bandwidth 17 MHz**  
**Part Number A002-69M1**

Complies with Directive 2002/95/EC (RoHS)

PRELIMINARY DATA

**Typical performance**



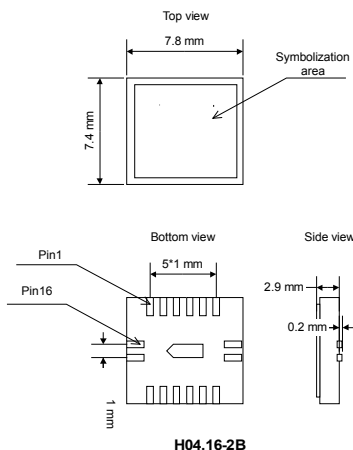
**Specifications**

Parameter	Unit	Min	Typ	Max
Central frequency	MHz	68.5	69.0	69.5
Unmatched Inserted loss	dB	27	28	29
Bandwidth @-2dB	MHz	17.0	17.5	18.0
Bandwidth @-40dB	MHz	-	34	-
Amplitude ripple	dB	0.8	1.0	1.5
Group Delay ripple	nsec	-	NA	-
Ultimate rejection	dB	50	-	-
Substrate	-	-	128LNO	-
Temperature range	°C	-55	22	85

**Notes:**

1. The design, manufacturing process, and specifications of this filter are subject to change.
2. Specification valid for measurements in AEC Design test fixture.

**Case**



**Matching**

